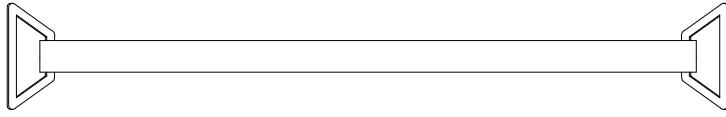


Vasche G&M

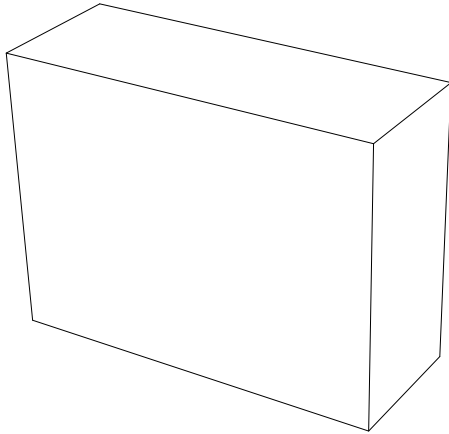
Istruzioni di montaggio  
Assembly instructions

KERASAN

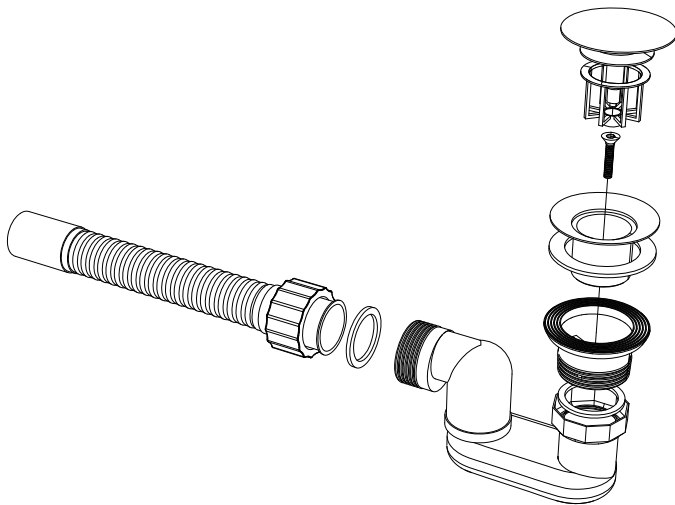
ACCESSORI INCLUSI / ACCESSORIES SUPPLIED



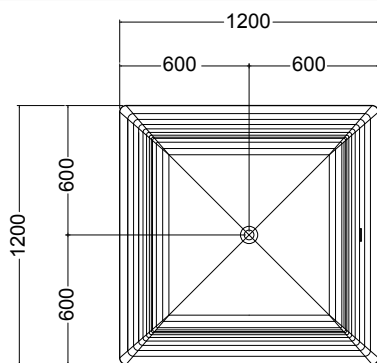
X4



X4



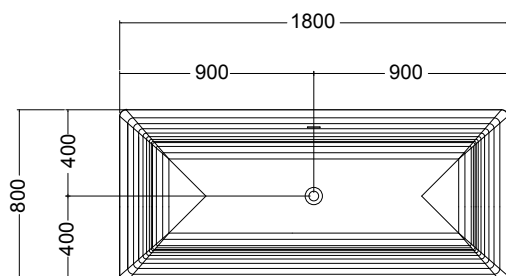
X1



ART. 7438

vasca quadrata 120x120 in polymineral  
peso 175 Kg.

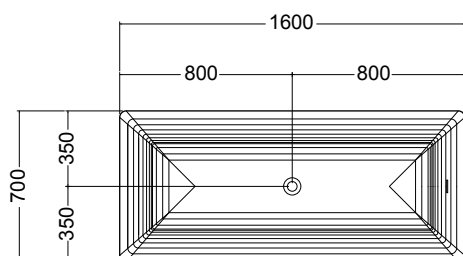
*polymineral square bathtub 120x120*



ART. 7435

vasca rettangolare 180x80 in polymineral  
peso 185 Kg.

*polymineral rectangular bathtub 180x80*

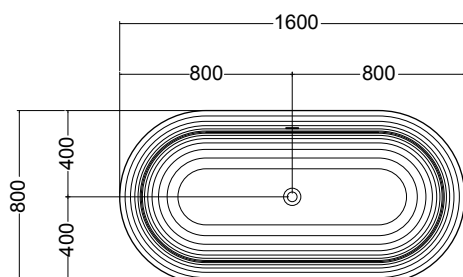


ART. 7434

vasca rettangolare 160x70 in polyminer  
peso 170 Kg.

*polymineral rectangular bathtub 160x70*

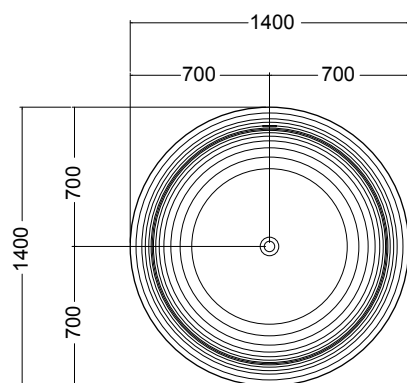
al



ART. 7433

vasca ovale 160x80 in polymineral  
peso 170 Kg.

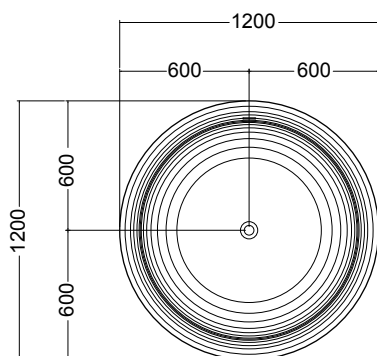
*polymineral oval bathtub 160x80*



ART. 7437

vasca tonda Ø 140 in polymineral  
peso 204 Kg.

*polymineral round bathtub Ø 140*



ART. 7436

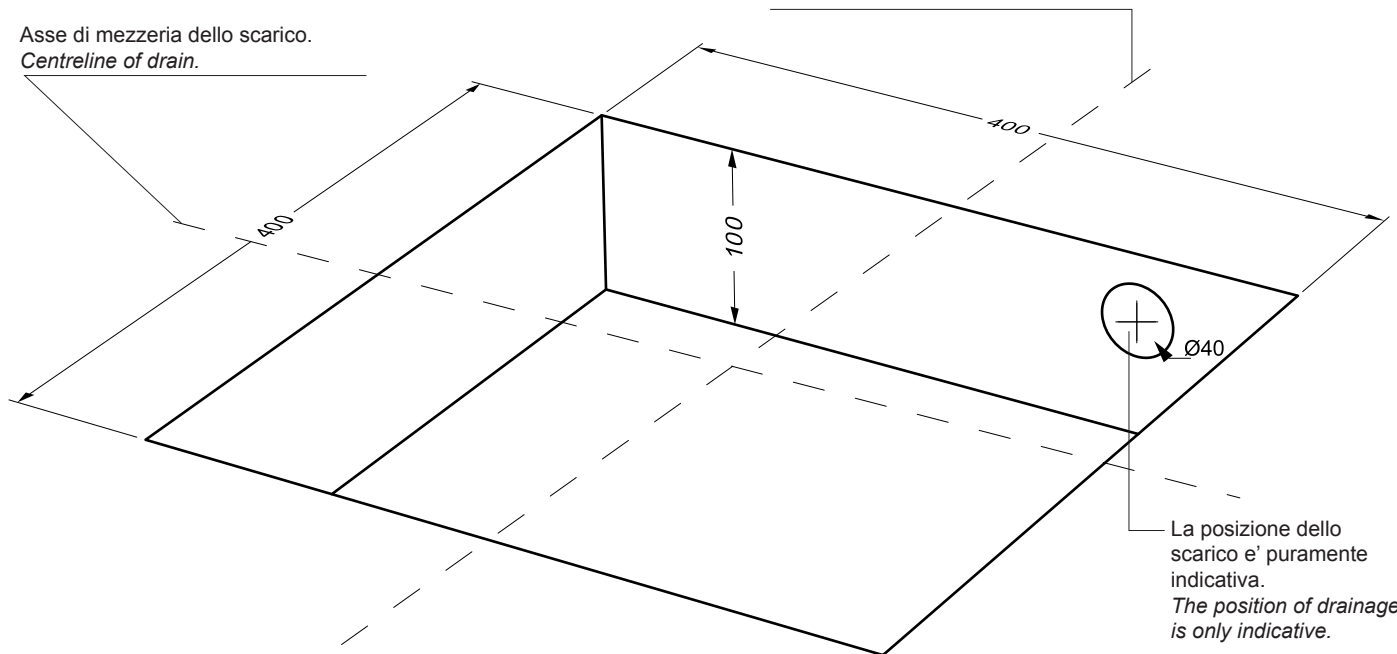
vasca tonda Ø 120 in polymineral  
peso 174 Kg.

*polymineral round bathtub Ø 120*

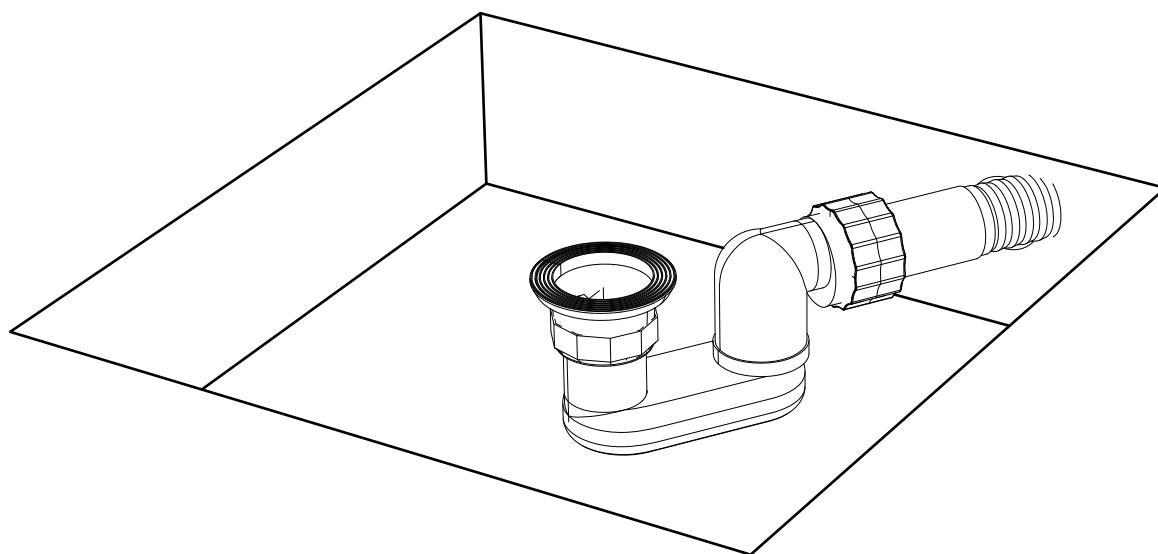
1

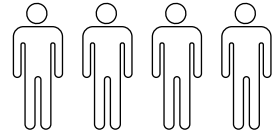
Asse di mezzeria dello scarico.  
Centreline of drain.

Asse di mezzeria dello scarico.  
Centreline of drain.

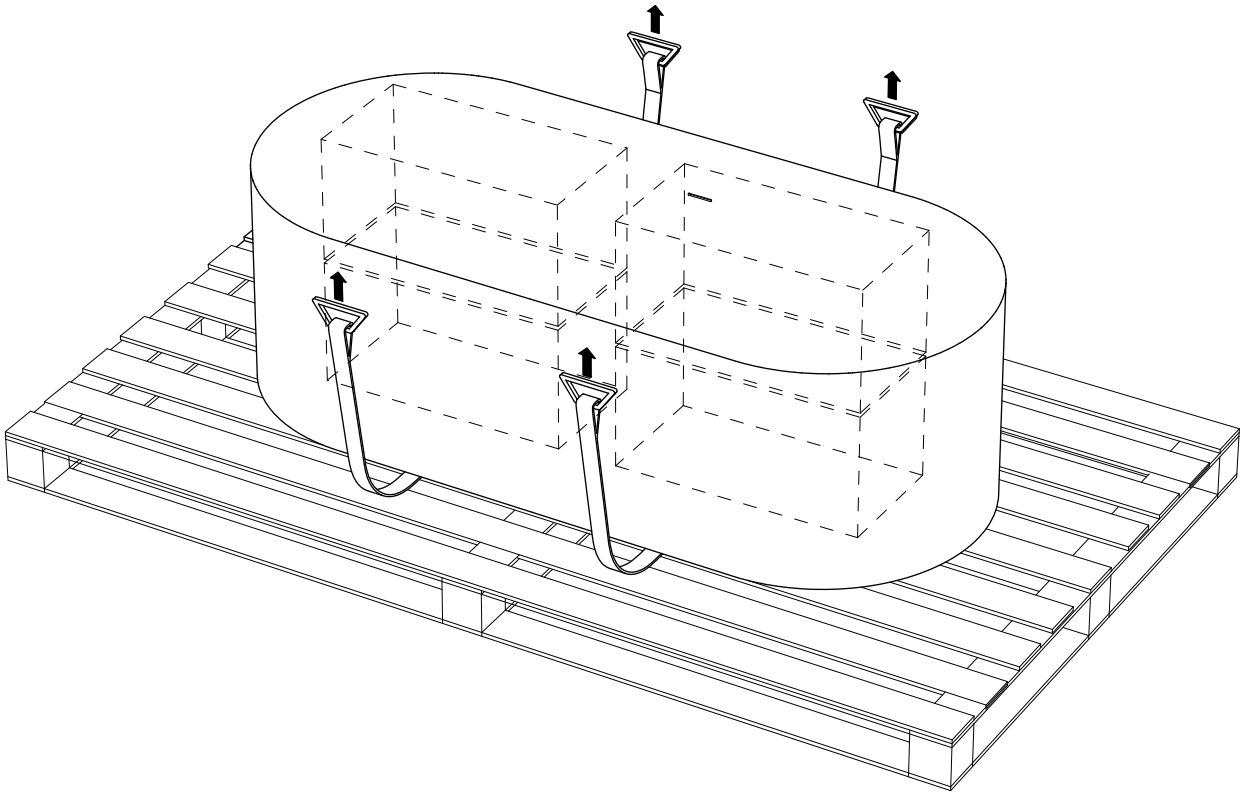


2

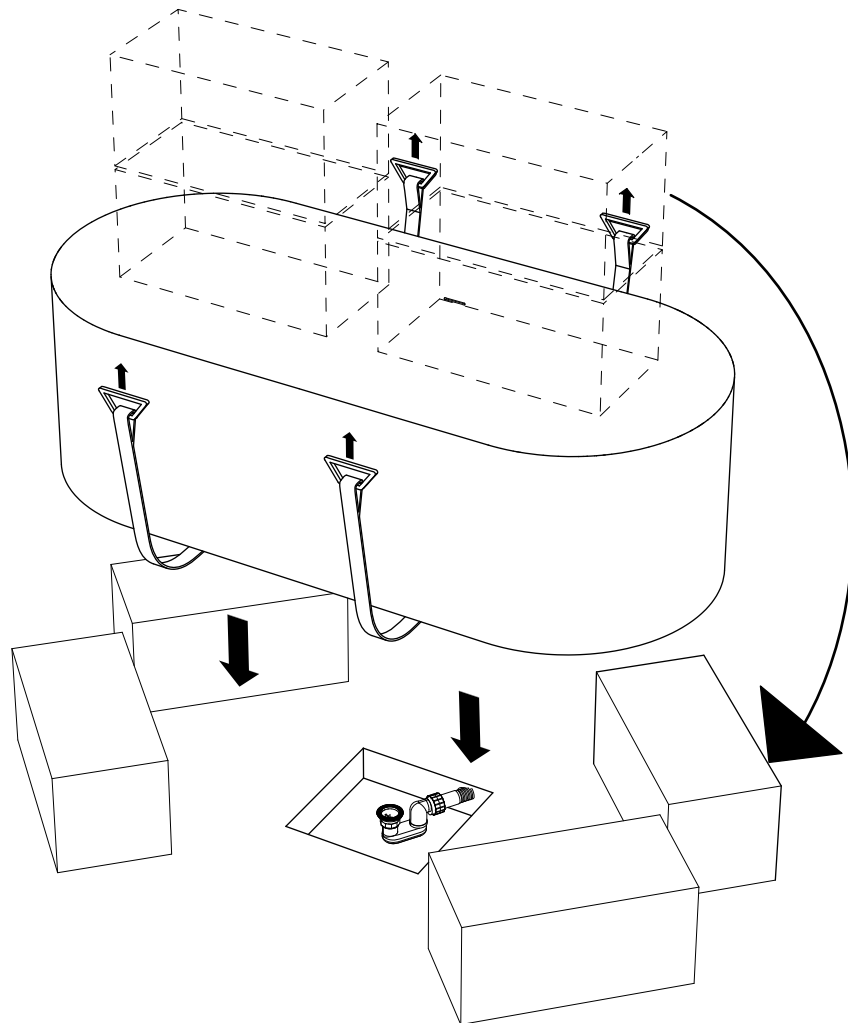




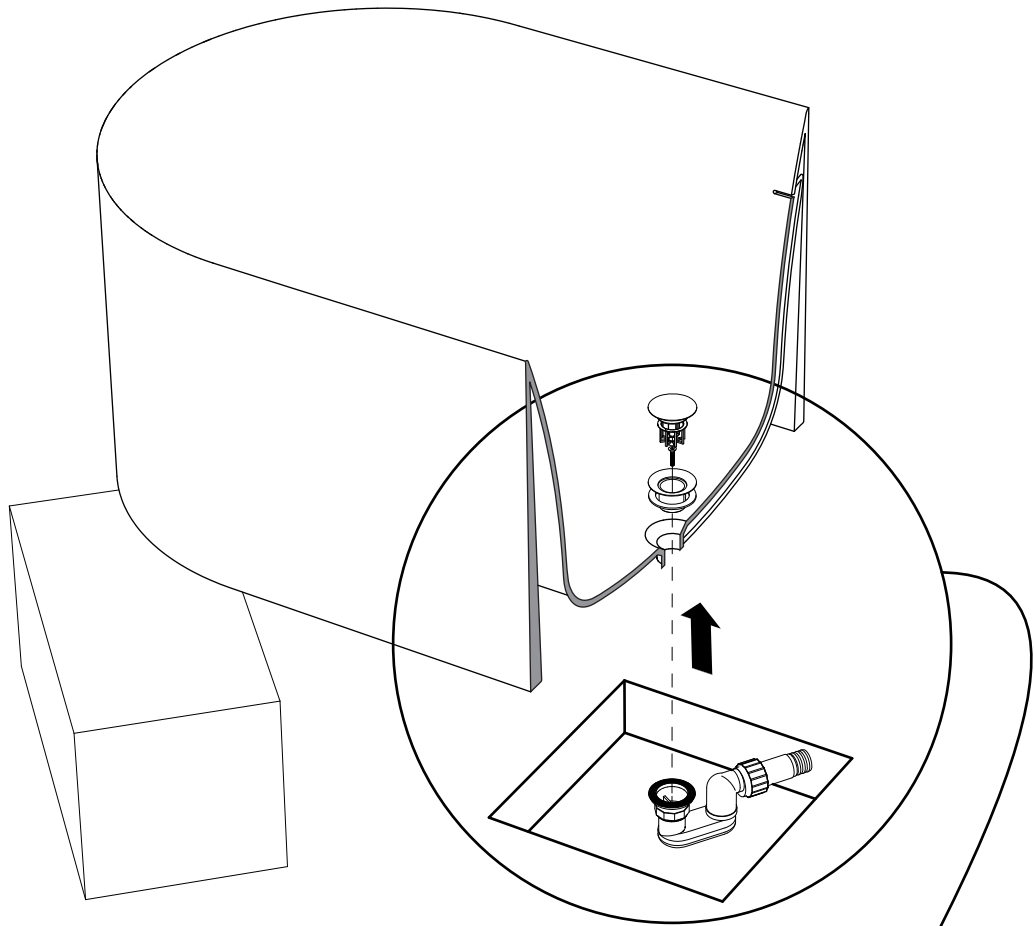
3



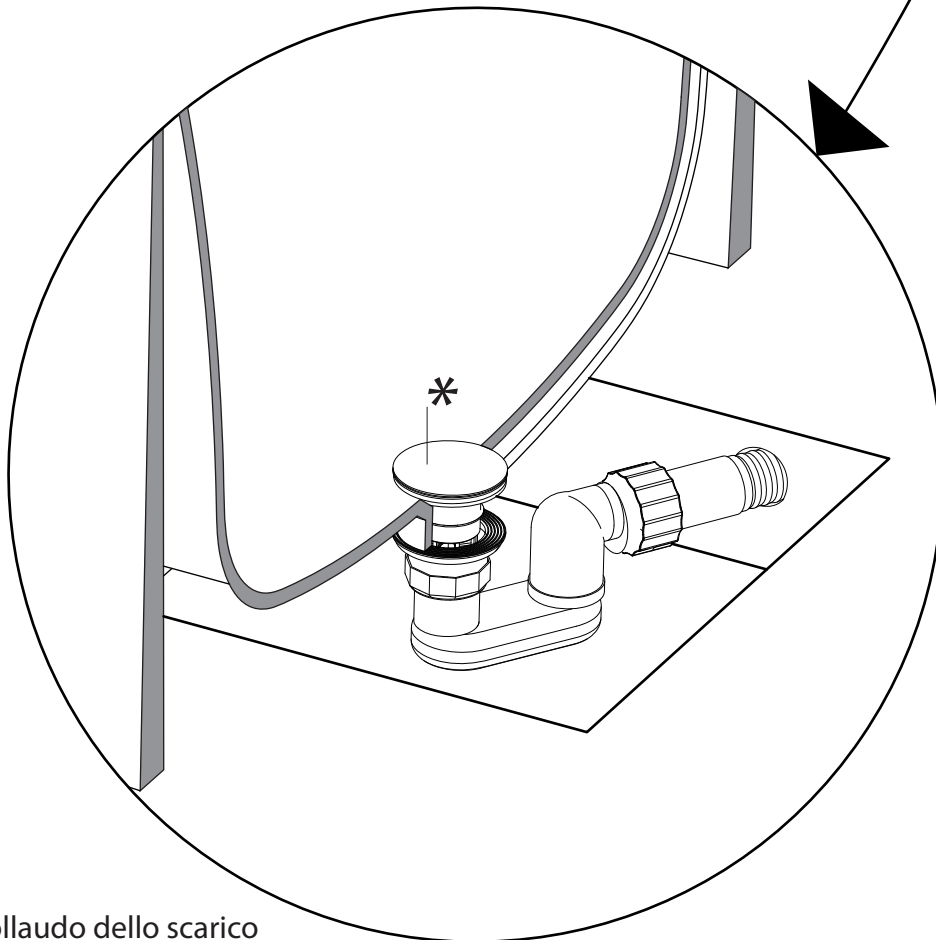
4



5

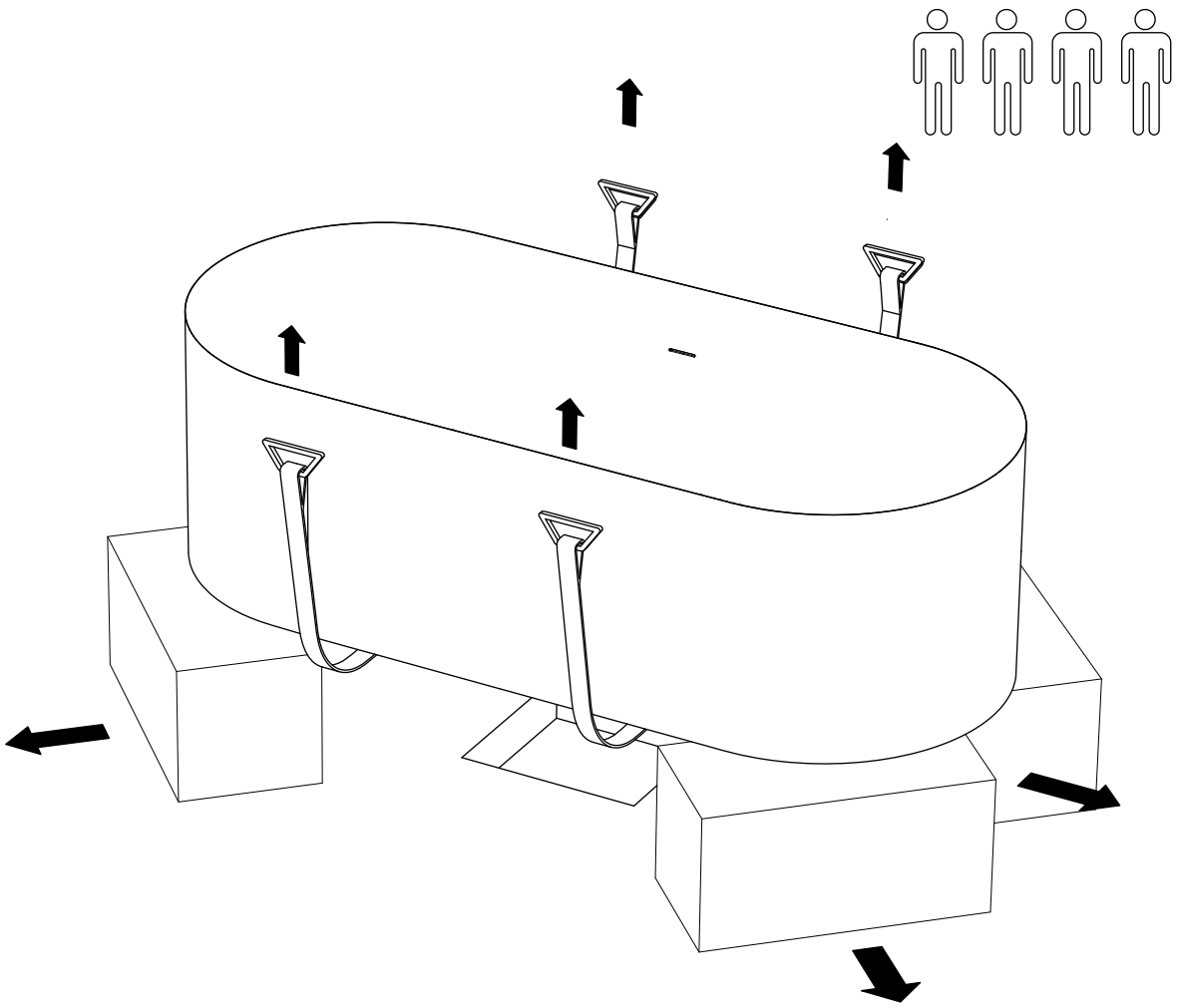


6

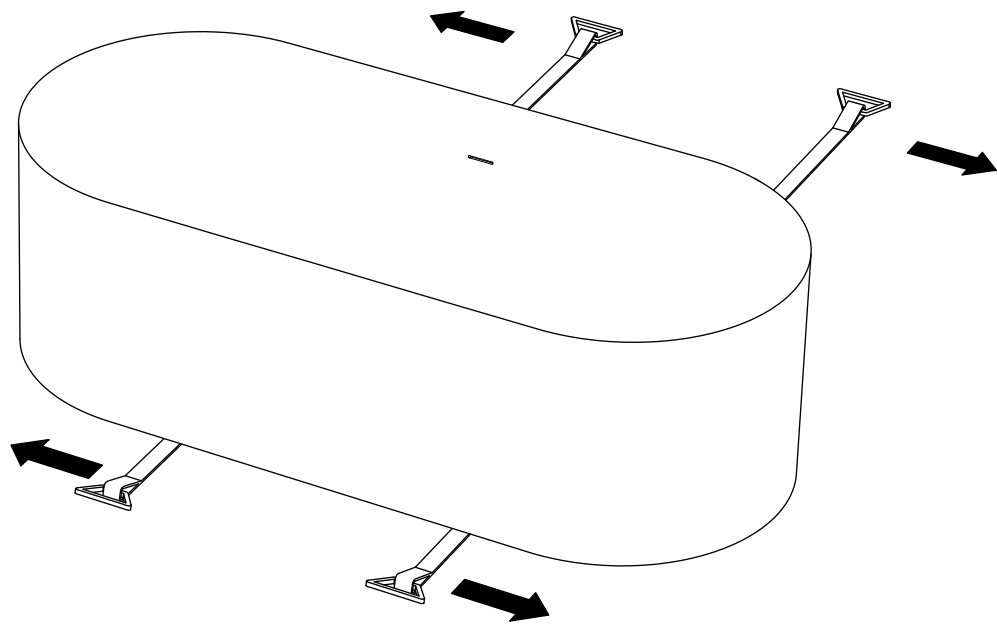


\*Si consiglia il collaudo dello scarico  
*We suggest a drain check-up*

7



8



# KERASAN

## **Kerasan**

S.R.L. ZONA INDUST. LOG. PRATARONI

01033 CIVITA CASTELLANA ( VT ) - ITALY

TEL. +39.0761.542018 (RA) FAX +39.0761.540627

KERASAN@KERASAN.IT

[www.kerasan.it](http://www.kerasan.it)